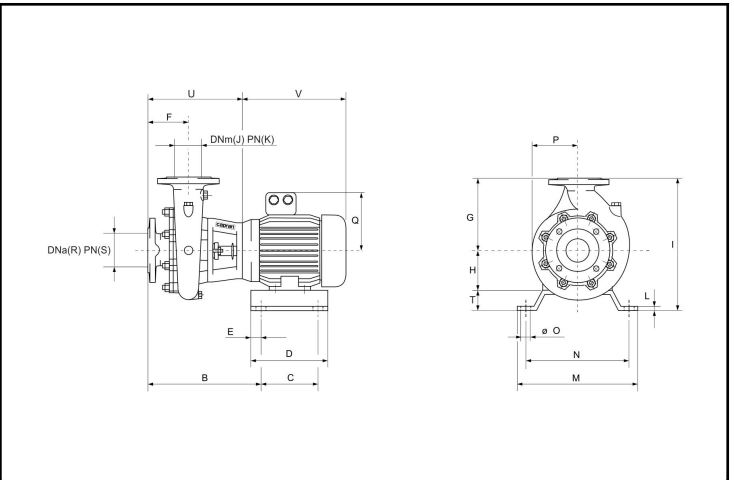
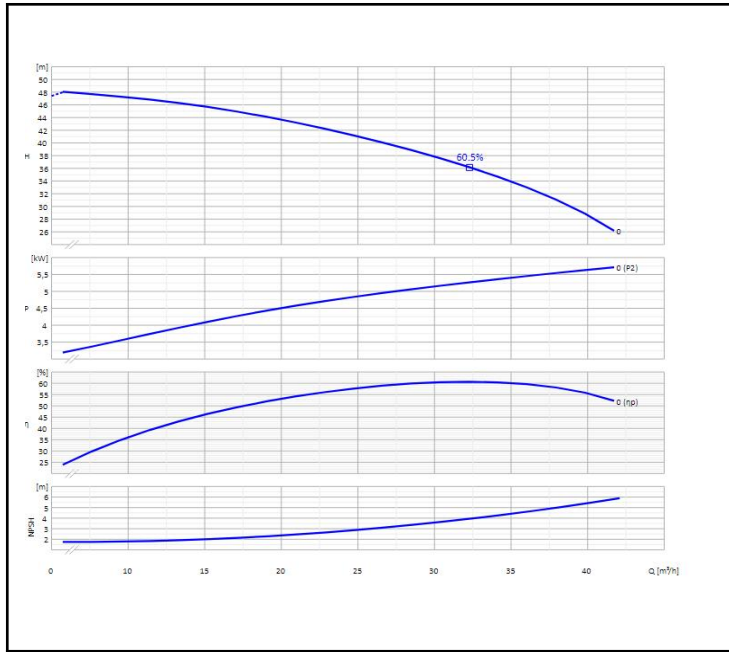


Customer:				Ref.:			
Item	Quantity			Required flow	20 m³/h	Required head	45 m
Type	HORIZONTAL MONOBLOC ELECTRIC PUMP			Model	MD40+M300552211-V		



Dimensions (mm)							
B	325.5	J	40	R	50		
C	155	K	16	S	16		
D	190	L	5	T	58		
E	22.5	M	315	U	258		
F	104	N	290	V	328		
G	200	O	11.5				
H	112	P	128				
I	370	Q	160				

OPERATING DATA - ISO 9906:2012 3B - M.E.I.≥0.40					CONSTRUCTION CHARACTERISTICS	
Q [m³/h]	H [m]	P [kW]	η [%]	NPSH [m]	Delivery diameter	40
					Weight	67 Kg
					No. Stages	1
					Seal	Packing
					Type of installation	Horizontal

OPERATING LIMITS			OPERATING CHARACTERISTICS		
pumped liquid	Water		Service flow rate	19.72	m³/h
Max. temp. of pumped liquid	n.d.		Service head	43.75	m
Maximum density	1	kg/dm³	Qmin	5.76	37.97
Maximum viscosity	1	mm²/s	H (Q=0)	47.4	48
Maximum solid content	20	g/m3	Power consumption at duty point	4.47	kW
Max. number of starts/hr	10		Max. power consumption	5.53	kW
			Pump efficiency	52.54	46.6
			Overall efficiency	%	
			Sense of rotation (*)	Clockwise	
			Number of pumps installed	Operating	Stand-by
				1	0

PUMP MATERIALS		ELECTRIC MOTOR CHARACTERISTICS		
Delivery body	Cast iron	Brand		
Suction support	Cast iron	Model	M300552T21B341121	
Impeller	Cast iron	Nominal power	5.5	kW
Stuffing box		Rated frequency	50	Hz
Lantern bracket	Cast iron	Rated voltage	400	V
Packing	HT Composite	Rated current	10.2	A
Gasket for suction cover	Impregnated plastic material	No. Rotation speed	2	2935 1/min
Impeller wear ring	Cast iron	Efficiency 4/4 - 3/4	89.2 - 88.3 %	
Feet	Steel	Power factor 4/4 - 3/4	0.87	
Shaft	Steel	Type of motor	3 ~	
Shaft sleeve	Steel	Is/In	11.2	Ts/Tn 4.2
Impeller nut		Protection class	IP55	
Stuffing box nuts	Stainless steel	Insulation class	F	
Stuffing box studs	Stainless steel	Thermal protection		
		Efficiency class	IE3	

Notes:	(*) View from electric motor side		
OFFER No.	Pos.	Date 10/11/2024	