





Idrofoglia Irrigation Systems was established in 1979 as a manufacturing company of irrigation machines, motor pumps and electric pumps using the 30 years' experience of its founders in the field of agricultural machineries. Today Idrofoglia is one of the most important industries of irrigation technologies for water and fluid movement and operates with a worldwide distribution network.

Thanks to its capacity to renew and update constantly the production, the company has exponentially increased its turnover. This result shows a greater appreciation and satisfaction of customers from all over the world. Idrofoglia expanded its product range with motor pumps and electric pumps for industrial and construction - Idrofoglia Fluid Systems and with the firefighting and pressurization units - Idrofoglia Safety Systems.





IRRIGATION SYSTEMS

“Turbocar”
irrigation machines
Motor pumps
Electric pumps
Irrigation systems



FLUID SYSTEMS

Motor pumps
and electric pumps
for construction
and industry



SAFETY SYSTEMS

Fire fighting pumping
solutions and
pressurization units
for domestic and
industrial use



IRON SYSTEMS

Lifting system
and
engineering
solutions





In the agricultural machine sector Turbocar is absolutely the one that have achieved an unrivalled technical development, as shown by the increasing satisfaction of those who use it. Thanks to the results that have been reached, Turbocar succeeds in standing out stately all the alternative irrigation systems.

Today Turbocar represents the best answer to all needs of the modern irrigation. Environment preservation, practical use, minor starting investment, almost inexistent maintenance costs are the strength points of Turbocar that enable it to be a unique and exclusive machine.





TURBOCAR COMBO **IG1.1S**



TURBOCAR COMBO **IG1S**



TURBOCAR COMBO **IG3**



TURBOCAR COMBO **IG4**

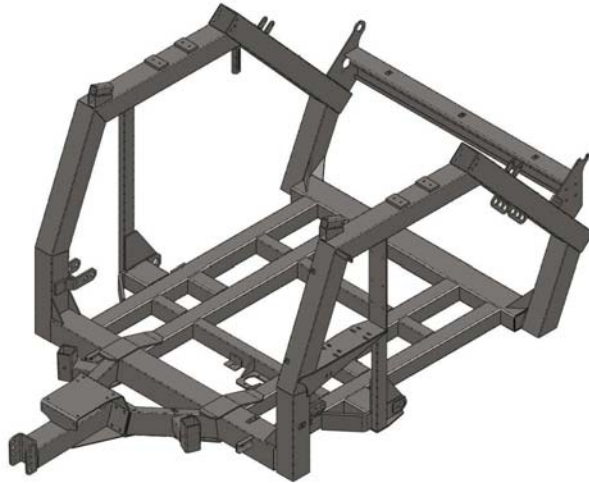


TURBOCAR COMBO **G5**

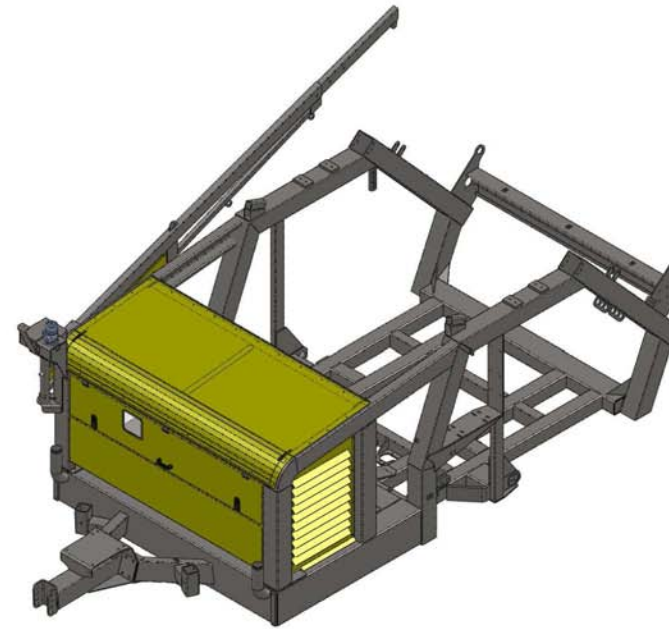


TURBOCAR COMBO **IG5**





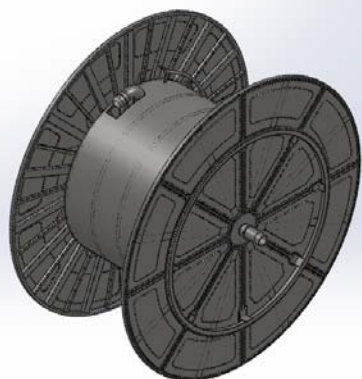
STANDARD TURBOCAR FRAME



TURBOCAR WITH INCORPORATED MOTOR PUMP FRAME

One of the main features of **Turbocar with incorporated motor pump** is the project and planning of the machine. The incorporated motor pump is mentioned in the price list as an extra, in reality it's a model on its own. It has in fact its specific frame that is conceived to optimize the end user operations being compact and robust like all what it is made in Idrofoglia. The project of the frame of an incorporated machine is based on the one of the standard Turbocar machine but it is modified and balanced in order to incorporate the motor pump on it. Therefore all the advantages of the Turbocar irrigation machines are the same as the ones of the Turbocar with incorporated motor pump. However there are some features that makes the Turbocar with incorporated motor pump unique such as the diesel tank in the machine frame, the double hydraulic stacker legs and the strong rewinding toothed crown wheel position.





The toothed crown, either single or double, that allows the rewinding of the pipe is placed in correspondence to the support base of the pipe that is called first layer. In this way the pipe does not weight on the drum borders, that are necessary only to contain the pipe.





EASYMOP CONTROL UNIT

Easymop is a control unit developed to check and manage motor pumps that do not need an automatic speed control. Easymop in fact is conceived to be very easy and intuitive for the end customer. Even though it is simple, very precise and made with high quality components. Easymop is a solid and essential control unit that comes from the Idromop family, granting the maximum performance. The Easymop control unit has the possibility to fit an external actuator (overprice) to manage the automatic speed control of the engine.



IDROMOP CONTROL UNIT

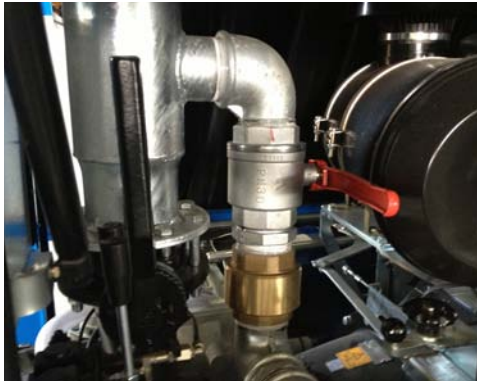
Idromop is a high engineered electronic control unit developed to check and manage automatically motor pumps. Its main features are the simplicity and the ability to set up all parameters automatically (speed control, engine heating, engine cooling etc.) checking every single step of the work. Idromop is a control unit that can manage the motor pump either manually or automatically and has the possibility to manage and check the status of all motor pumps through a numeric code. It is available in the two versions: IDROMOP/BASE and IDROMOP/GPRS.



IRRIMOP CONTROL UNIT

Irrimop is an electronic control device developed to check and manage our TURBOCAR hose reel irrigator. This control unit is very simple and thanks to the easy menu allows to verify each phase of the work through the different parameters. With Irrimop you can check always all the set ups and modify them even when the irrigator is irrigating. Irrimop has 16 different programs with 16 different rewinding settings and everyone can be splitted in 8 zones. This control unit allows a precise control of the mobile irrigator in every phase of the rewinding.





Compressor outlet.



Dismontable and hig-adjustable tow eye.



Hydraulic distributor levers to move and position the machines.



Hydraulic distributor levers for suction arm holder mounted on the side.



Strong double stacker legs on the drawbar.



large size back spades.



Strong and resistant frame.



Double stacker legs, double refuelling device and totally dismantable drawbar.





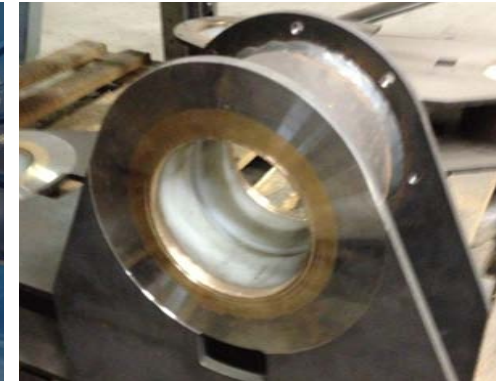
Twin-axle for 4 wheels frame mounted under drum centre of the hose reel for easy moving.



Foldable light bar for homologation.



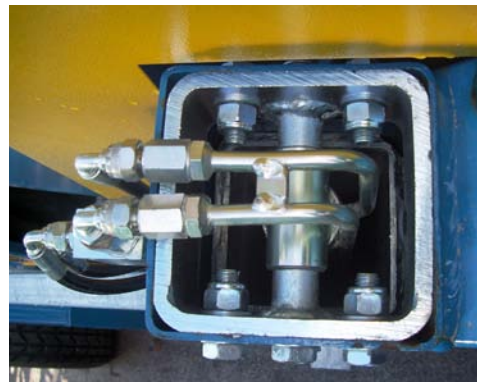
Inlet water joint.



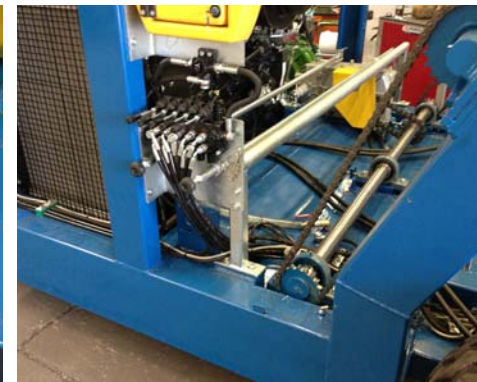
Nylon and bronze inlet bush that does not need maintenance and does not reduce the diameter of the water flow (different than the ball bearings system).



Delivery gate valve.



Internal hydraulic pistons for trolley lift .



Fuel tank integrated in the frame .



ENGINES BRAND



www.deere.it



www.fptindustrial.com



www.perkins.com



www.deutz.com

PUMPS BRAND



www.caprari.it



www.rovatti.it



www.ferraripompe.it

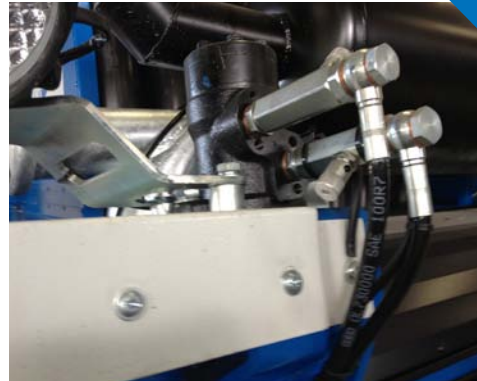


www.idrofoglia.com





HP (High Performance) trolley with hydraulic regulation.



Hydraulic auto breaking winch.



Electric primer pump.



Oil cooling tank for hydraulic rewinding system instead of turbine.



Light.



Computerized control unit.



Roof with 3 protection sheets.



Second automatic irrigator kit.





4 wheels frame.



Trolley with some additional options like water tank, iron wheels etc. See our price list.



Secondary water inlet.



Hydraulic arm holder for suction pipe.



Tank cap with key.



Silenced canopy.



HP (High performance) trolley with wide adjustment.



Motor pump for pressure boost.



TURBOCAR / Irrigation machines

TURBOCAR / Irrigation machines



Turbocar Jolly J2



Turbocar G3



Turbocar Hydraulic IG4



Turbocar with incorporated motor pump

TURBOPUMPS / Motor pumps



Turbopumps (2-3 cylinders)



Turbopumps standard



Turbopumps Silent



FOX Generating set with submersible pumps



Generating sets





Idrofoglia srl
Via Provinciale 14
61026 Lunano (PU) - Italy

phone: +39 0722 700311
fax: +39 0722 700309
www.idrofoglia.com
staff@idrofoglia.com

