

TECHNICAL DATASHEET TURBOCAR

JOLLY – J2



Illustrative purposes only; the model shown here could be different that one

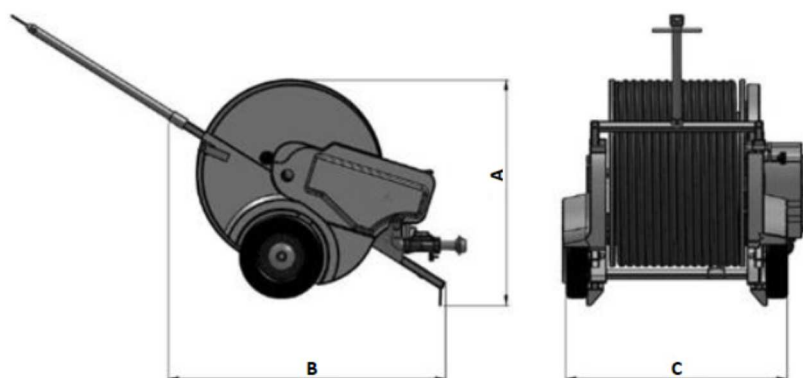
STANDARD EQUIPMENT

- High efficiency partial flow turbine drive directly coupled to the gearbox (minimum pressure losses in its category)
- Single-speed gearbox with oil lubrication
- Safety devices for PTO and rewinding out of the drum
- Moving transmission through toothed crown, which is placed close to the maximum stress point on the drum and not pushing against the hose reel borders
- Leadscrew driven hose layering guide
- Manual by-pass
- Speed control
- Glycerine filled pressure gauge
- Automatic trolley lift “retractable”
- Hot galvanised frame, pipework water and components
- Galvanised sprinkler trolley with adjustable track
- Accident prevention protections according to CE standard
- Sprinkler with set of nozzles
- High resistant low density PE hose
- Instructions and maintenance handbook
- CE Certificate
- Warranty certificate

Available Models

Structure	Model	P.E.B.D. Hose Ø (mm)	Hose length L (m)	Sprinkler
J2D	50 F 150	50	150	AMBO
	63 F 100	63	100	HIDRA

Weight and overall dimensions



STRUCTURE	A	B	C	KG
J2	1400	1900	1300	450

Technical Features

Ø hose (mm)	Ø nozzle (mm)	Machine pressure (atm)	Sprinkler press. (atm)	Throw (mt)	Irrigated width (mt)	Flow (l/min)	Irrigated area (ha)	Rainfall (mm)		
50	10	150								
		2,6	1,5	17,0	28,9	103	0,44	19,9	6,6	5,0
	12	3,3	2,0	18,0	30,6	120	0,47	21,7	7,2	5,4
		3,8	2,0	19,5	33,2	158	0,52	26,3	8,8	6,6
		5,4	3,0	22,0	37,4	193	0,59	28,1	9,4	7,0
		6,5	3,0	23,5	40,0	250	0,63	33,8	11,3	8,5
14	8,4	4,0	26,0	44,2	290	0,71	35,1	11,7	8,8	
	100									
63	14	2,9	2,0	23,0	39,1	195	0,43	25,8	8,6	5,2
		4,1	3,0	28,0	47,6	238	0,54	25,1	8,4	5,0
	16	4,4	3,0	30,0	51,0	303	0,59	29,5	9,8	5,9
		5,7	4,0	34,0	57,8	350	0,68	29,3	9,8	5,9
	18	6,3	4,0	35,0	59,5	437	0,70	35,3	11,8	7,1
		7,7	4,5	36,5	62,1	545	0,74	41,9	14,0	8,4