

Cod. 10252
Cod. 10253

Hidra

Hose reel machines
Enrolladores

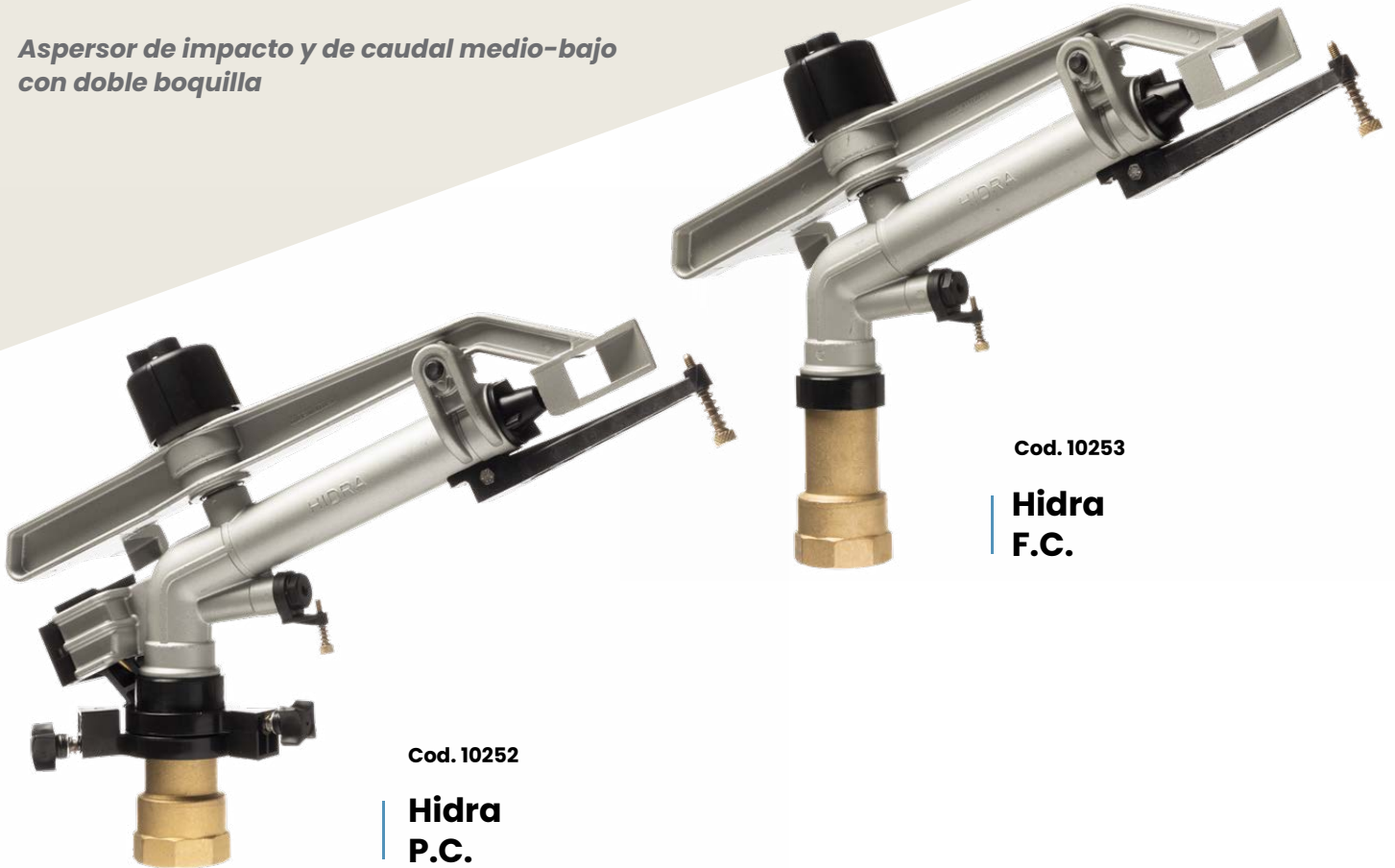


Solid set systems
Cobertura integral



Double nozzle impact gun for medium-low flow

Aspersor de impacto y de caudal medio-bajo con doble boquilla



Cod. 10253

**Hidra
F.C.**

Cod. 10252

**Hidra
P.C.**

	Net weight <i>Peso neto</i>	Connection <i>Conexión</i>	Size <i>Dimensiones</i>	Nozzle <i>Boquilla</i>	Angle <i>Ángulo</i>
P.C	2,3 kg	1" ½ F	ø 650 mm x 312 mm	Ø 10 ÷ 20 mm	25°
F.C	2,0 kg				

Pressure *Presion*

for **US units** go to page 71

Nozzle <i>Boquilla</i>	2 bar		3 bar		4 bar		5 bar		6 bar	
	Flow <i>Caudal</i> l/min	Radius <i>Alcance</i> m	Flow <i>Caudal</i> l/min	Radius <i>Alcance</i> m	Flow <i>Caudal</i> l/min	Radius <i>Alcance</i> m	Flow <i>Caudal</i> l/min	Radius <i>Alcance</i> m	Flow <i>Caudal</i> l/min	Radius <i>Alcance</i> m
10 mm - 5 mm	110	18	135	20,5	157	23,5	175	26	-	-
12 mm - 5 mm	152	20	182	24	211	27	236	30	-	-
14 mm - 5 mm	195	21	239	25	277	29	309	31	-	-
16 mm - 5 mm	247	22	303	26	351	30	391	33	-	-
18 mm - 5 mm	-	-	378	28	436	31	487	34	533	36
20 mm - 5 mm	-	-	460	28,5	532	32	594	34,5	651	36,5

US units



Ambo
Nozzle
Boquilla

Pressure *Presion*

	22 PSI		29 PSI		44 PSI		56 PSI		70 PSI	
	Flow Caudal gpm	Radius Alcance feet	Flow Caudal gpm	Radius Alcance feet	Flow Caudal gpm	Radius Alcance feet	Flow Caudal gpm	Radius Alcance feet	Flow Caudal gpm	Radius Alcance feet
0.28 in - 0.31 in	22.7	52	26.2	57	32.0	64	37.0	69	-	-
0.28 in - 0.39 in	-	-	34.3	59	42.0	69	48.6	75	54.7	80
0.28 in - 0.47 in	-	-	44.6	64	54.7	72	63.1	82	71.1	90
0.28 in - 0.55 in	-	-	56.8	67	69.7	77	80.6	85	90.3	94
0.28 in - 0.63 in	-	-	70.5	69	86.6	79	100.1	87	109.4	95



Hidra
Nozzle
Boquilla

Pressure *Presion*

	29 PSI		44 PSI		56 PSI		70 PSI		85 PSI	
	Flow Caudal gpm	Radius Alcance feet	Flow Caudal gpm	Radius Alcance feet	Flow Caudal gpm	Radius Alcance feet	Flow Caudal gpm	Radius Alcance feet	Flow Caudal gpm	Radius Alcance feet
0.39 in - 0.20 in	29.1	59	35.7	67	41.5	77	46.2	85	-	-
0.47 in - 0.20 in	40.2	66	48.1	79	55.7	89	62.3	98	-	-
0.55 in - 0.20 in	51.5	69	63.1	82	73.2	95	81.6	102	-	-
0.63 in - 0.20 in	65.3	72	80.0	85	92.7	98	103.3	108	-	-
0.71 in - 0.20 in	-	-	99.9	92	115.2	102	128.7	112	140.8	118
0.79 in - 0.20 in	-	-	121.5	94	140.5	105	156.9	113	172.0	120



Duplex
Nozzle
Boquilla

Pressure *Presion*

	29 PSI		44 PSI		56 PSI		70 PSI		85 PSI	
	Flow Caudal gpm	Radius Alcance feet	Flow Caudal gpm	Radius Alcance feet	Flow Caudal gpm	Radius Alcance feet	Flow Caudal gpm	Radius Alcance feet	Flow Caudal gpm	Radius Alcance feet
0.47 / 0.31 in	48.6	75	59.2	89	68.4	98	-	-	-	-
0.55 / 0.31 in	60.8	82	74.0	95	85.9	105	96.2	112	-	-
0.63 / 0.31 in	74.5	89	90.9	102	105.4	112	117.8	121	-	-
0.71 / 0.31 in	90.6	92	114.7	108	133.7	118	148.2	131	-	-
0.79 / 0.31 in	108.6	95	137.4	112	160.1	125	173.6	141	-	-
0.87 / 0.31 in	-	-	155.9	113	180.2	128	202.4	144	221.6	153



Senior
Nozzle
Boquilla

Pressure *Presion*

	22 PSI		29 PSI		44 PSI		56 PSI		70 PSI	
	Flow Caudal gpm	Radius Alcance feet	Flow Caudal gpm	Radius Alcance feet	Flow Caudal gpm	Radius Alcance feet	Flow Caudal gpm	Radius Alcance feet	Flow Caudal gpm	Radius Alcance feet
0.47 in - 0.20 in	34.3	62	40.2	72	48.1	79	56	89	-	-
0.55 in - 0.20 in	-	-	51.5	75	63.2	92	73.2	102	81.7	112
0.63 in - 0.20 in	-	-	65.3	79	80.1	98	92.8	112	103	118
0.71 in - 0.20 in	-	-	81.7	79	100	105	115	115	128	125
0.78 in - 0.20 in	-	-	99.4	82	121	108	140	121	157	135

Validity of data: all performance data given in the table of duties refer to sprinklers working in no windy conditions with a properly inclined jet and a slightly penetrating jet-breaker. A 5-7% allowance on the values of discharge and jet-length is however admitted.

Validez de los datos: los datos de los prospectos se refieren a aspersores que funcionan con aire calmado con el chorro correctamente inclinado hacia el horizontal y con el quebrachorro en posición de interferencia mínima. Sobre las medidas de Caudal de chorro se admite una tolerancia del 5-7%.