

TECHNICAL DATASHEET TURBOPUMP

LR 51 W - ... / ...



rovatti pompe
Products you can rely on

Illustrative purposes only; the model shown here could be different that one supplied

STANDARD EQUIPMENT

Engine complete with manual accelerator and silencer:

Brand:	LOMBARDINI
Model:	LDW 2204
Nr. Cylinders:	4
Displacement:	2.199 cc
Suction:	Natural
Cooling system:	Liquid
Continuous power @ 1750 rpm:	21,3 kW – 29 HP
Continuous power @ 2000 rpm:	25 kW – 34 HP
Continuous power @ 2200 rpm:	26,5 kW – 36 HP
Maximum power @ 3000 rpm:	32,4 kW – 44 HP
Starting:	Electric starting
Incorporated fuel tank:	70 lt.

Two tyres chassis painted RAL 5017 complete with incorporated fuel tank, stacker legs and electric starting battery.

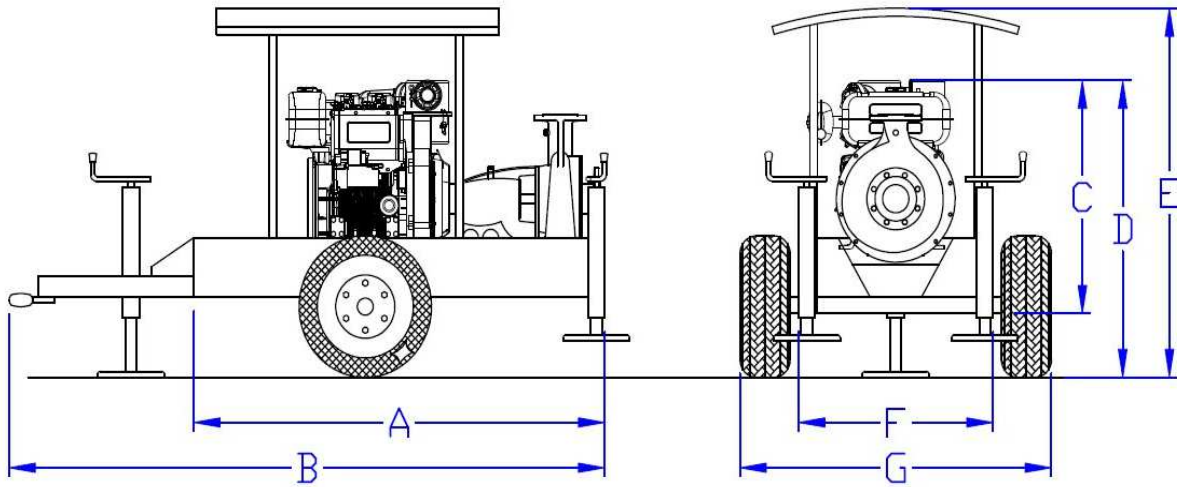
Suction and delivery flanges on the pump

Rovatti pump (see Models and Performances)

Models and Performances

Model	Rpm	Consump. (l/h)	Pump	Nr. Impellers	Suction	Delivery	Performances			Coupling	
							Cap. (l/min)	1200	1800		2400
LR51W-10/FL	2600	9,3	FL830I-F2	1	DN100	DN80	Head (mca)	64	60	49	Flanged
LR51W-20/FL	2600	9,3	FL626/2E-F2	2	DN80	DN65	Cap. (l/min)	750	1000	1250	Flanged
							Head (mca)	114	109	102	

Weight and overall dimensions



Fuel tank	A (mm)	B (mm)	C (mm)	D (mm)	E (mm)	F (mm)	G (mm)	Wheels	Dry weight (kg)
70 lt	1590	2470	1080	1330	1350	800	1180	165/70.13 4F	