

TECHNICAL DATASHEET TURBOPUMP

LR 28 - ... / ...



rovatti pompe
Products you can rely on

Illustrative purposes only; the model shown here could be different that one supplied

STANDARD EQUIPMENT

Engine complete with manual accelerator and silencer:

Brand:	LOMBARDINI
Model:	5 LD 825/2
Nr. Cylinders:	2
Displacement:	1.649 cc
Suction:	Natural
Cooling system:	Air
Continuous power @ 1750 rpm:	13,9 kW – 19 HP
Continuous power @ 2000 rpm:	16,1 kW – 22 HP
Continuous power @ 2200 rpm:	17,6 kW – 24 HP
Maximum power @ 2600 rpm:	19,9 kW – 27 HP
Starting:	Electric starting
Incorporated fuel tank:	70 lt.

Two tyres chassis painted RAL 5017 complete with incorporated fuel tank, stacker legs and electric starting battery.

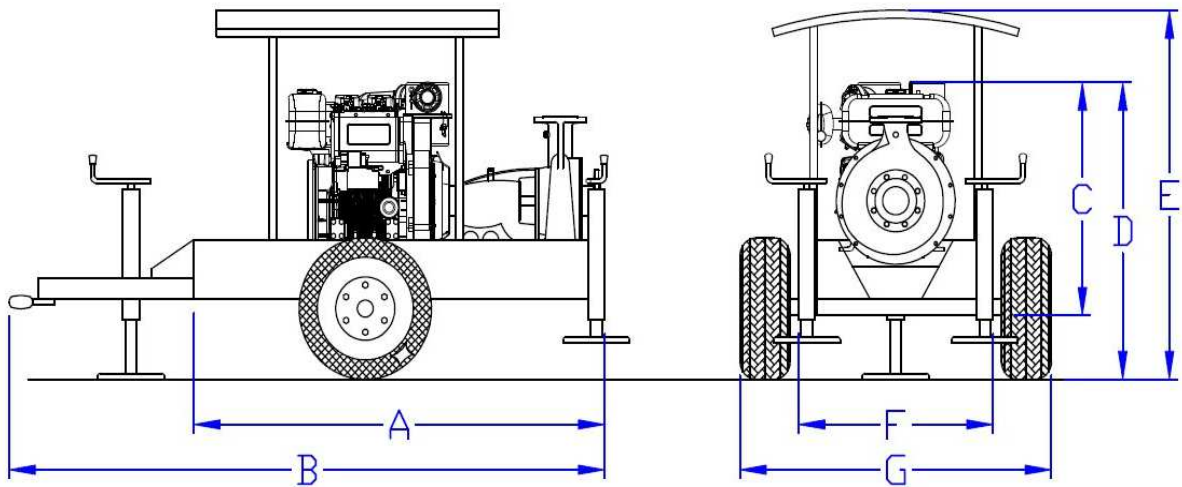
Suction and delivery flanges on the pump

Rovatti pump (see Models and Performances)

Models and Performances

Model	Rpm	Consump. (l/h)	Pump	Nr. Impellers	Suction	Delivery	Performances			Coupling	
							Cap. (l/min)	700	1300		1600
LR28-10/FL	2600	4,7	FL626F-F2	1	DN80	DN65	Head (mca)	62	56	50	Flanged
							Cap. (l/min)	450	750	900	
LR28-20/FL	2600	4,7	FL526/2G-F2	2	DN65	DN50	Head (mca)	101	87	75	Flanged
							Cap. (l/min)	450	750	900	

Weight and overall dimensions



Fuel tank	A (mm)	B (mm)	C (mm)	D (mm)	E (mm)	F (mm)	G (mm)	Wheels	Dry weight (kg)
70 lt	1590	2470	900	1150	1350	800	1180	165/70.13 4F	