

## TURBOPUMP TECHNICAL DATASHEET

# LR 25 - ... / ...



**rovatti pompe**  
Products you can rely on

*Illustrative purposes only; the model shown here could be different that one supplied*

### STANDARD EQUIPMENT

Engine complete with manual accelerator and silencer:

Brand:	LOMBARDINI
Model:	9 LD 625/2
Nr. Cylinders:	2
Displacement:	1248 cc
Suction:	Natural
Cooling system:	Air
Continuous power @ 1750 rpm:	11 kW – 15 HP
Continuous power @ 2000 rpm:	13 kW – 18 HP
Continuous power @ 2200 rpm:	15 kW – 20 HP
Maximum power @ 3000 rpm:	17 kW – 23 HP
Starting:	Manual starting
Incorporated fuel tank:	70 lt.

Two tyres chassis painted RAL 5017 complete with incorporated fuel tank, stacker legs and electric starting battery.

Suction and delivery flanges on the pump

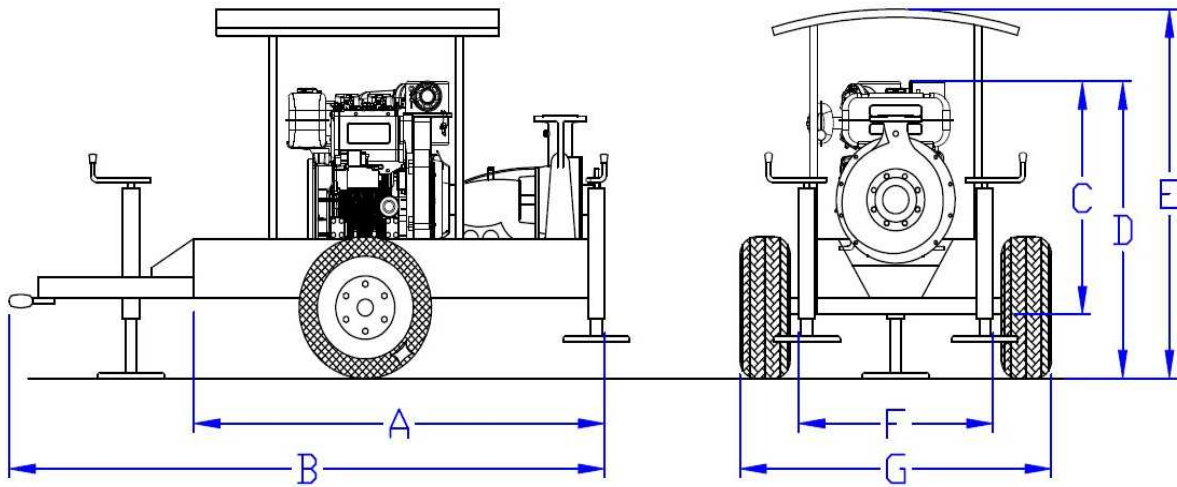
Rovatti pump (see Models and Performances)

## Models and Performances

Model	rpm	Consump. (l/h)	Pump	Nr. Impellers	Suction	Delivery	Performances				Coupling
LR25-10/FL	2600	4,4	FL526F-F1	1	DN65	DN50	Cap. (l/min)	1050	900	700	Flanged
							Head (mca)	42	53	60	
LR25-20/FL	2600	4,4	FL526/2I-F1	2	DN65	DN50	Cap. (l/min)	750	600	450	Flanged
							Head (mca)	72	80	82	

\* Tolerance ISO 9906:2012 - 3B

## Weight and overall dimensions



Fuel tank	A (mm)	B (mm)	C (mm)	D (mm)	E (mm)	F (mm)	G (mm)	Wheels	Dry weight (kg)
<b>70 lt</b>	1590	2470	900	1150	1350	800	1180	165/70.13 4F	