

TECHNICAL DATASHEET TURBOPUMP

IR 220 - ... / ...



Illustrative purposes only; the model shown here could be different that one supplied

STANDARD EQUIPMENT

Engine complete with manual accelerator and silencer:

Brand:	FPT – Fiat Powertrain Technologies
Model:	NEF 67 MNTA
Normative:	STAGE II
Nr. Cylinders:	6
Displacement:	6.700 cc
Suction:	Turbocharged
Cooling system:	Liquid
Continuous power @ 1750 rpm:	120 kW – 164 HP
Continuous power @ 2000 rpm:	126 kW – 172 HP
Continuous power @ 2200 rpm:	128 kW – 174 HP
Maximum power @ 2300 rpm:	129 kW – 175 HP
Starting:	Electric starting
Incorporated fuel tank:	330 lt.

Engine protective panel model **EasyMOP**, complete with fuel level indicator, tachometer, hour meters, pressure gauge, pressostat, timer, starting key, luminous devices for detecting emergency signal; it stops engine in case of low oil pressure, engine overheating, belt breakage, water pressure fall.

Two tyres chassis painted RAL 5017 complete with incorporated fuel tank, 3 stacker legs, shaft with adjustable height, document holder and electric starting battery.

Elastic coupling between engine and pump.

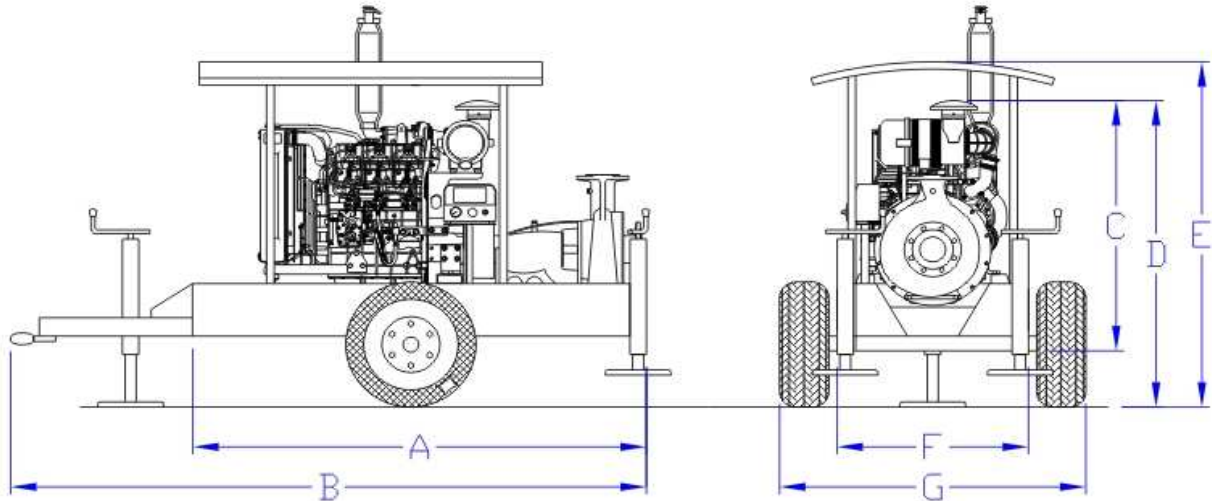
Suction and delivery flanges on the pump.

Rovatti pump (see Models and Performances)

Models and Performances

Model	Rpm	Consump. (l/h)	Pump	Nr. Impellers	Suction	Delivery	Performances			Coupling	
IR220-10/OR	1800	22,8	S4K150/2H	2	DN150	DN125	Cap. (l/min)	4250	3500	3000	Horizontal
IR220-10/FL			F34K150/2H -CF				Head (mca)	116	123	126	Flanged
IR220-15/OR	1800	22,8	S4K125/2E	2	DN125	DN100	Cap. (l/min)	3000	2750	2500	Horizontal
IR220-15/FL			F34K125/2E				Head (mca)	135	138	142	Flanged
IR220-20/OR	1800	22,8	S4K125/3AM	3	DN125	DN100	Cap. (l/min)	3250	2500	2000	Horizontal
IR220-20/FL			F34K125/3AM -CF				Head (mca)	146	161	166	Flanged

Weight and overall dimensions



Fuel tank	A (mm)	B (mm)	C (mm)	D (mm)	E (mm)	F (mm)	G (mm)	Wheels	Dry weight (kg)
330 lt	2800	4150	1290	1590	1810	1000	1470	205/60.15 5F	
500 lt	2800	4150	1290	1620	1840	1200	1740	10.0/80-12 pr6 5F	
750 lt								10.0/80-12 pr6 5F	
1000 lt								10.0/80-12 pr6 5F	