

## TECHNICAL DATASHEET TURBOPUMP

# IR 120 - ... / ...



**rovatti pompe**  
Products you can rely on

*Illustrative purposes only; the model shown here could be different that one supplied*

### STANDARD EQUIPMENT

Engine complete with manual accelerator and silencer:

Brand:	FPT – Fiat Powertrain Technologies
Model:	NEF 67 MSAE
Normative:	STEP II
Nr. Cylinders:	6
Displacement:	6.700 cc
Suction:	Natural
Cooling system:	Liquid
Continuous power @ 1750 rpm:	73 kW – 99 HP
Continuous power @ 2000 rpm:	76 kW – 104 HP
Continuous power @ 2200 rpm:	79 kW – 108 HP
Maximum power @ 2500 rpm:	81 kW – 110 HP
Starting:	Electric starting
Incorporated fuel tank:	330 lt.

Engine protective panel model **EasyMOP**, complete with fuel level indicator, tachometer, hour meters, pressure gauge, pressostat, timer, starting key, luminous devices for detecting emergency signal; it stops engine in case of low oil pressure, engine overheating, belt breakage, water pressure fall.

Two tyres chassis painted RAL 5017 complete with incorporated fuel tank, 3 stacker legs, shaft with adjustable height, document holder and electric starting battery.

Elastic coupling between engine and pump.

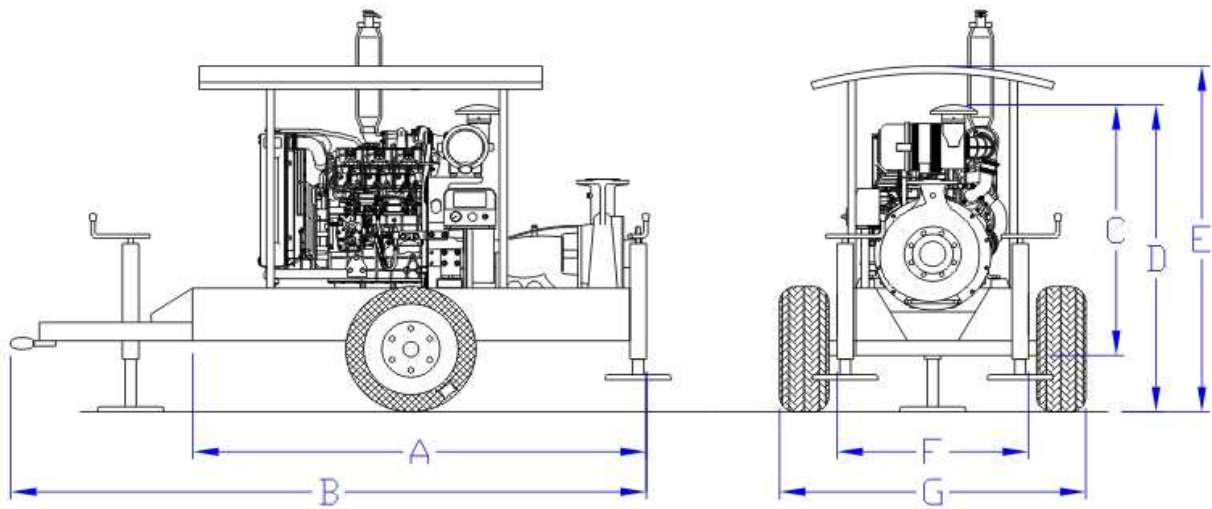
Suction and delivery flanges on the pump.

Rovatti pump (see Models and Performances)

## Models and Performances

Model	Rpm	Consump. (l/h)	Pump	Nr. Impellers	Suction	Delivery	Performances			Coupling	
IR120-10/OR	2000	15	S3P150K/L	1	DN150	DN125	Cap. (l/min)	4000	3500	3000	Horizontal
IR120-10/FL			Head (mca)				69	72	74	Flanged	
IR120-20/OR	1800	14,3	S4K125/2M	2	DN125	DN100	Cap. (l/min)	2750	2500	2000	Horizontal
IR120-20/FL			Head (mca)				86	90	96	Flanged	
IR120-30/OR	1800	14,3	S3K100H/3E	3	DN100	DN80	Cap. (l/min)	2400	2000	1600	Horizontal
IR120-30/FL			Head (mca)				99	112	123	Flanged	
IR120-40/OR	2000	15	S3K100H/3G	3	DN100	DN80	Cap. (l/min)	2000	1600	1200	Horizontal
IR120-40/FL			Head (mca)				134	143	150	Flanged	
IR120-50/OR	1450	14	S3K100/4E -CF	4	DN100	DN80	Cap. (l/min)	1600	1200	1000	Horizontal
IR120-50/FL			Head (mca)				96	106	110	Flanged	

## Weight and overall dimensions



Fuel tank	A (mm)	B (mm)	C (mm)	D (mm)	E (mm)	F (mm)	G (mm)	Wheels	Dry weight (kg)
330 lt	2800	4150	1190	1490	1810	1000	1470	205/60.15 5F	
500 lt	2800	4150	1190	1520	1840	1200	1740	10.0/80-12 pr6 5F	
750 lt								10.0/80-12 pr6 5F	
1000 lt								10.0/80-12 pr6 5F	