

TECHNICAL DATASHEET TURBOCAR

EXECUTIVE – IG1.1



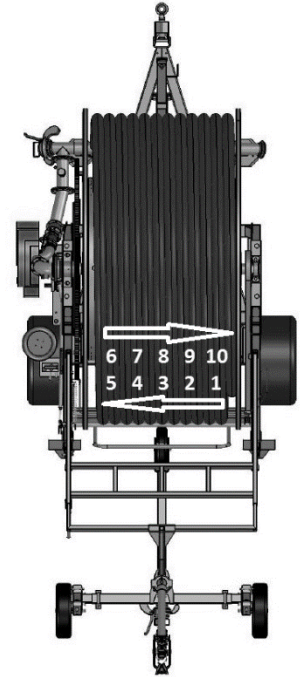
Illustrative purposes only; the model shown here could be different that one supplied

STANDARD EQUIPMENT

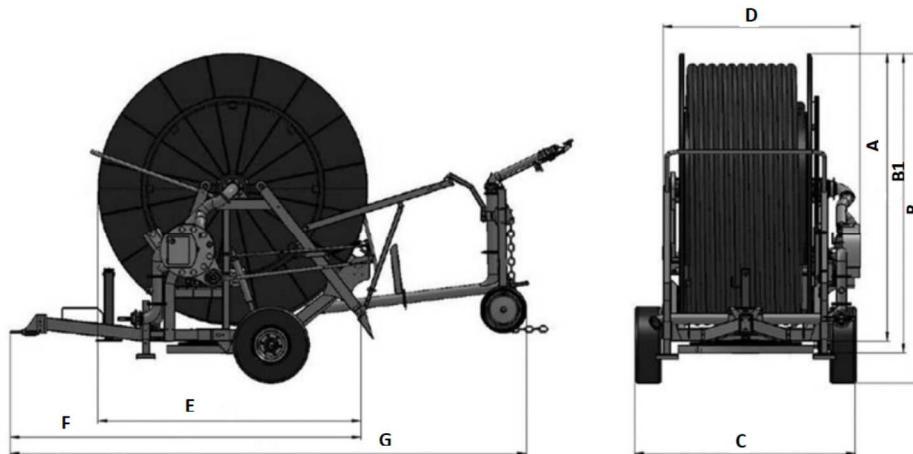
- High efficiency partial flow turbine drive directly coupled to the gearbox (minimum pressure losses in its category)
- 4 speed gearbox with oil lubrication
- Safety devices for PTO and rewinding out of the drum
- Moving transmission through toothed crown, which is placed close to the maximum stress point on the drum and not pushing against the hose reel borders
- Leadscrew driven hose layering guide
- By-pass “double action” for automatic speed control
- Glycerine filled pressure gauge
- Digital hour meters
- Huge diameter 360° turntable
- Hydraulic system for turntable rotation, trolley lift, drawbar jack and independent wheels lifting, actioned by distributor lever situated on one side of the machine
- Trolley lift and stacker legs driven by hydraulic pistons incorporated inside the structure
- Hot galvanised steel frame, pipework with double water inlet and components
- 2 wheels hot galvanised sprinkler trolley with adjustable track, height and legs
- Accident prevention protections according to CE standard
- Sprinkler with set of nozzles
- High resistant medium density PE hose with differentiated thickness
- Instructions and maintenance handbook
- CE Certificate
- Warranty certificate

Available Models

Structure	Model	Type	Hose ending	P.E. hose Ø (mm)	Hose length L (m)	Sprinkler
IG1.1D	90 IG 380	A	9	90	380	REFLEX / TWIN 140
	90 IG 400	A	10	90	400	REFLEX / TWIN 140
	90 IG 420	D	9	90	420	REFLEX / TWIN 140
	90 IG 440	D	10	90	440	REFLEX / TWIN 140
	90 IG 480	B	4	90	480	REFLEX / TWIN 140
	100 IG 320	A	7	100	320	REFLEX / TWIN 140
	100 IG 350	A	9	100	350	REFLEX / TWIN 140
	100 IG 400	E	9	100	400	REFLEX / TWIN 140
	100 IG 450	C	4	100	450	REFLEX / TWIN 140
	110 IG 270	D	3	110	270	REFLEX / TWIN 160
	110 IG 300	D	5	110	300	REFLEX / TWIN 160
	110 IG 340	B	9	110	340	REFLEX / TWIN 160
	120 IG 230	F	10	120	230	EXPLORER / TWIN 202
	120 IG 270	E	4	120	270	EXPLORER / TWIN 202
	125 IG 220	F	10	125	220	EXPLORER / TWIN 202



Weight and overall dimensions



STR.	TYPE	WHEELS	A	B	B1	C	D	E	F	G	KG
IG1.1	A	10.0/75.15.3-5F	2630	3070	2780	2450	2000	2560	3790	5800	2700 ÷ 3000
	A	13.0/55.16-6F	2630	3070	2780	2490	2000	2560	3790	5800	
	B	10.0/75.15.3-5F	2680	3120	2830	2450	2000	2610	3790	5800	
	B	13.0/55.16-6F	2680	3120	2830	2490	2000	2610	3790	5800	
	C	10.0/75.15.3-5F	2740	3180	2890	2450	2000	2670	3790	5800	
	C	13.0/55.16-6F	2740	3180	2890	2490	2000	2670	3790	5800	
	D	10.0/75.15.3-5F	2680	3120	2830	2450	2000	2610	3790	5800	
	D	13.0/55.16-6F	2680	3120	2830	2490	2000	2610	3790	5800	
	E	10.0/75.15.3-5F	2740	3180	2890	2450	2000	2670	3790	5800	
	E	13.0/55.16-6F	2740	3180	2890	2490	2000	2670	3790	5800	
	F	10.0/75.15.3-5F	2680	3120	2830	2450	2000	2610	3790	5800	
	F	13.0/55.16-6F	2680	3120	2830	2490	2000	2610	3790	5800	

Technical Features

Ø hose (mm)	Ø nozzle (mm)	Machine pressure (atm)					Sprinkler press. (atm)	Throw (mt)	Irrigated width (mt)	Flow (l/min)	Irrigated area (ha)					Rainfall (mm)			
82		500								500									
	18	5,6					3,0	33,0	56,1	350	2,79						35,8	11,9	7,2
		7,3					4,0	37,0	62,9	403	3,14						36,6	12,2	7,3
	20	8,6					4,0	39,0	66,3	500	3,32						42,9	14,3	8,6
		10,5					5,0	43,0	73,1	560	3,68						43,3	14,4	8,7
	22	12,5					5,0	45,0	76,5	675	3,86						49,8	16,6	10,0
13,7						5,5	46,5	79,1	708	4,00						50,5	16,8	10,1	
90		380	400	420	440	480					380	400	420	440	480				
	24	5,9	6,1	6,3	6,4	6,9	3,0	39,0	66,3	622	2,57	2,69	2,82	2,94	3,20	52,5	17,5	10,5	
		7,7	7,9	8,2	8,3	9,0	4,0	44,0	74,8	720	2,92	3,06	3,20	3,35	3,63	53,4	17,8	10,7	
	26	8,8	9,0	9,4	9,6	10,4	4,0	47,0	79,9	845	3,13	3,29	3,44	3,59	3,89	58,4	19,5	11,7	
		10,7	11,0	11,5	11,8	12,8	5,0	52,0	88,4	945	3,50	3,67	3,83	4,00	4,34	58,5	19,5	11,7	
	28	12,3	12,7	13,4	13,7	15,0	5,0	56,0	95,2	1095	3,79	3,97	4,15	4,34	4,70	62,5	20,8	12,5	
13,4		13,8	14,6	15,0	16,4	5,5	57,0	96,9	1150	3,87	4,05	4,23	4,42	4,79	64,4	21,5	12,9		
100		320	350	400	450						320	350	400	450					
	26	5,1	5,2	5,6	5,9		3,0	42,0	71,4	732	2,37	2,57	2,91	3,25		56,3	18,8	11,3	
		6,6	6,7	7,2	7,6		4,0	47,0	79,9	845	2,68	2,91	3,29	3,67		57,5	19,2	11,5	
	28	7,2	7,4	8,0	8,6		4,0	51,0	86,7	980	2,93	3,18	3,59	4,00		61,0	20,3	12,2	
		8,8	9,1	9,8	10,5		5,0	56,0	95,2	1095	3,25	3,52	3,97	4,43		61,5	20,5	12,3	
	30	9,7	10,1	11,0	11,9		5,0	57,0	96,9	1260	3,31	3,59	4,05	4,51		69,3	23,1	13,9	
10,6		11,0	12,0	13,0		5,5	58,5	99,5	1320	3,41	3,69	4,17	4,64		70,6	23,5	14,1		
110		270	300	340							270	300	340						
	28	4,5	4,7	4,8			3,0	44,0	74,8	848	2,14	2,35	2,64			61,1	20,4	12,2	
		5,9	6,0	6,2			4,0	51,0	86,7	980	2,52	2,77	3,10			59,9	20,0	12,0	
	30	6,2	6,4	6,7			4,0	52,0	88,4	1127	2,57	2,83	3,16			67,4	22,5	13,5	
		7,6	7,9	8,3			5,0	57,0	96,9	1260	2,85	3,13	3,50			67,9	22,6	13,6	
	32	8,2	8,5	9,0			5,0	58,0	98,6	1432	2,91	3,19	3,57			75,7	25,2	15,1	
8,4		8,6	9,0			5,5	60,0	102,0	1330	3,02	3,32	3,70			67,7	22,6	13,5		
120		230	270								230	270							
	30	5,6	5,7				4,0	52,0	88,4	1127	2,24	2,57				63,1	21,0	12,6	
		6,8	7,0				5,0	56,0	95,2	1260	2,44	2,80				64,9	21,6	13,0	
	32	7,1	7,4				5,0	58,0	98,6	1432	2,54	2,91				70,8	23,6	14,2	
		8,4	8,8				6,0	62,0	105,4	1570	2,74	3,14				71,9	24,0	14,4	
	34	7,5	7,9				5,0	59,0	100,3	1618	2,59	2,97				78,5	26,2	15,7	
8,9		9,3				6,0	64,0	108,8	1773	2,84	3,26				78,2	26,1	15,6		
125		220									220								
	32	5,5					4,0	54,0	91,8	1282	2,25					71,5	23,8	14,3	
		6,8					5,0	58,0	98,6	1432	2,44					73,5	24,5	14,7	
	36	7,4					5,0	61,0	103,7	1813	2,59					87,8	29,3	17,6	
		8,8					6,0	66,0	112,2	1988	2,84					87,8	29,3	17,6	
	38	7,8					5,0	63,0	107,1	2022	2,69					94,3	31,4	18,9	
9,3						6,0	68,0	115,6	2215	2,94					94,5	31,5	18,9		